

DTS27

Three-Phase Four-wire Electronic Energy Meter



➤ Brief Introduction

The DTS27 three-phase four-wire electronic energy meter is intended to measure three-phase four-wire AC active energy with the rated frequency of 50/60 Hz. The meter comes with wide voltage range which allows reliable operation with 70% U_n or single-phase power supply. Its active performance complies with the technical requirements for class 1 three-phase energy meters of the IEC62053-21 standards.



CORPELIMA

Functions

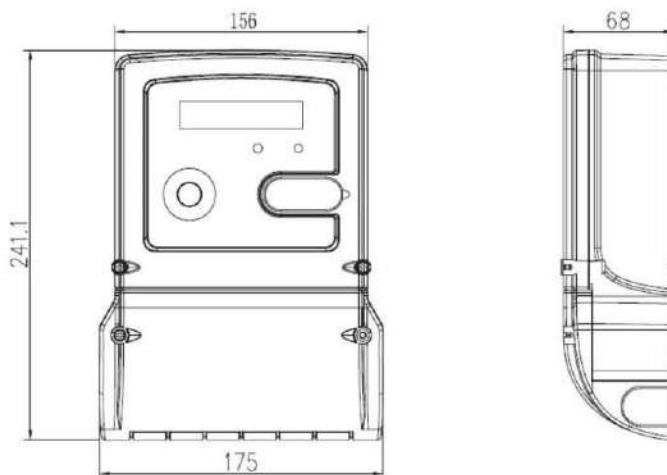
- Measure reverse energy as forward energy.
- Enable reverse Indicator for reverse energy consumption after 3 s.
- Perform self-test on LCD after energized.

DTS27 Three-Phase Four-wire Electronic Energy Meter

Specifications

Model	DTS27
Standard	IEC62053-21
Rated voltage	3×220/380 V
Starting current	0.4%I _b
Accuracy	Active: Class1
Power Consumption	Voltage Circuit: ≤1.0W, 8VA Current Circuit: ≤1.0VA
Frequency	50/60Hz
Display	6 integers+1 decimal
Ingress protection	IP 54
Operating temperature	-25°C~+65°C
Relative humidity	<75%
Dimensions	241.1mm×175.0mm×68.0mm

Outline Diagram and Installation Dimension



Current and Voltage Constants

Rated Current	Impulse constant
5(30)A	400 imp/kWh
5(40)A	
5(60)A	
10(40)A	
10(60)A	200imp/kWh
10(80)A	
10(100)A	100imp/kWh
20(100)A	

